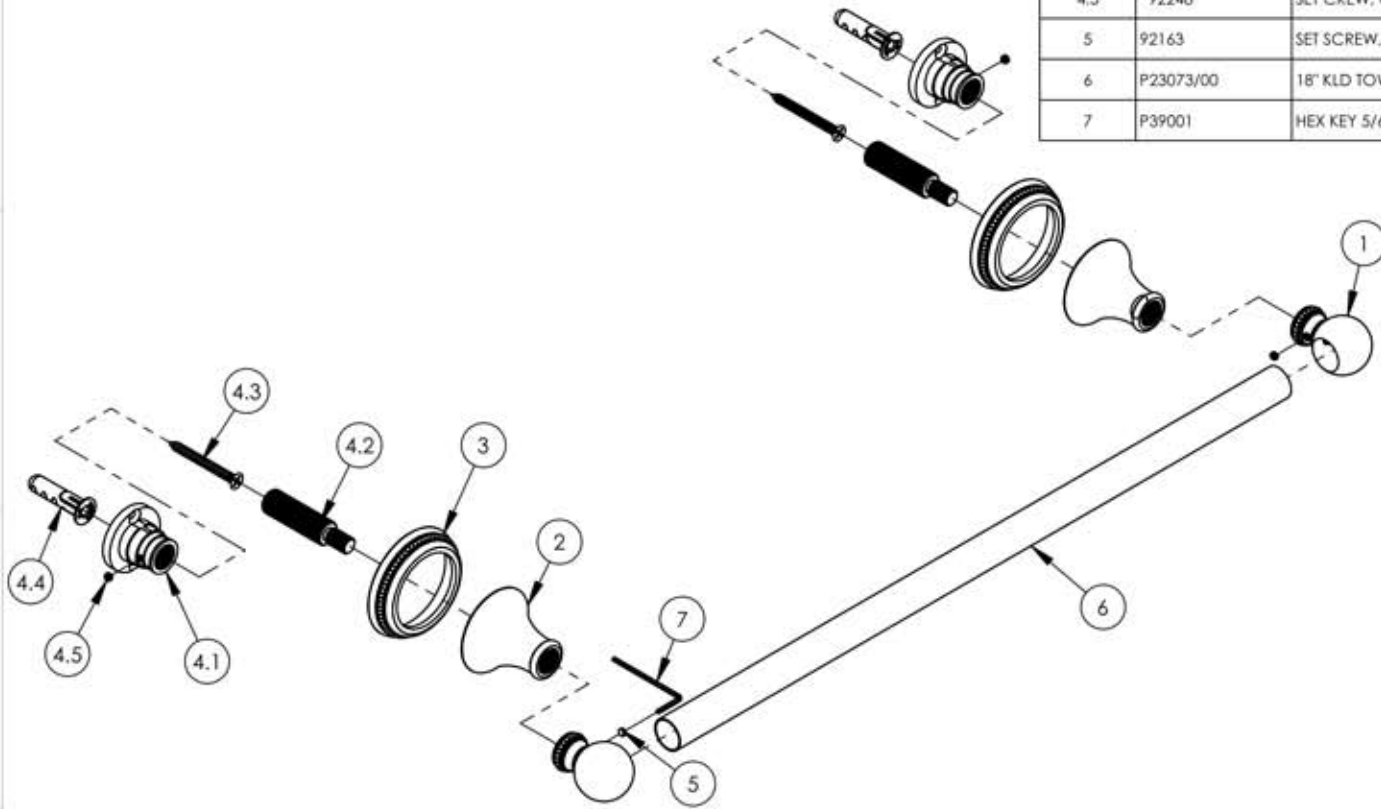


ITEM NO.	PART NUMBER	DESCRIPTION	QTY.
1	10536/00	POST TOWEL BARS, BEADED SERIES	2
2	10972/00	HUB, TRANSITIONAL 3RING	2
3	10973/00	ESCUTCHEON, BEADED HANDLE	2
4	2-104	MOUNTING KIT WITH BROACH	2
4.1	11050	MOUNTING KIT, WALL FLANGE	1
4.2	11083	EXTENSION BROACH FOR MOUNTING KIT	1
4.3	92043	SCREW, FLAT HD #10 SIZE W/ #2 PHIL DRIVE, 2"L	1
4.4	92046	ANCHOR SCREW 3/8" HOLE, TOGGLER AF10	1
4.5	92248	SET CREW, CUP POINT 8-32 UNC, 1/8" L.	1
5	92163	SET SCREW, CONE PT 8-32 X 1/8"L	2
6	P23073/00	18" KLD TOWEL BAR	1
7	P39001	HEX KEY 5/64. FOR 8-32 SET SCREW	1



ZONE	REV.	DESCRIPTION	DATE	APPROVED
REVISIONS				

1261 LOGAN AVENUE
COSTA MESA, CALIFORNIA 92626
PHONE: 714.361.4800
FAX: 714.617.3120

PHYLIRICH®

Defining Luxury Since 1959

PROPRIETARY AND CONFIDENTIAL
THE INFORMATION CONTAINED IN THIS DRAWING IS THE SOLE PROPERTY OF RISS MANUFACTURING. ANY REPRODUCTION IN PART OR AS A WHOLE WITHOUT THE WRITTEN PERMISSION OF RISS MANUFACTURING IS PROHIBITED.

-		-		INTERPRET GEOMETRIC DIMENSIONING & TOLERANCING IN ACCORDANCE WITH ASME Y14.5-2009 & ASME Y14.41-2003 STANDARDS, UNLESS OTHERWISE SPECIFIED. DIMENSIONS ARE IN INCHES. TOLERANCES ARE:			18" TOWEL BAR, BEADED SERIES		
NEXT ASSY		USED ON		FRACTIONS ±1/64"	DECIMALS X.X: ±.1 X.XX: ±.01 X.XXX: ±.005	ANGULAR ±.5°			
MATERIAL		APPLICATION			NAME	DATE	A	207-70/00	-
FINISH				DRAWN	LLO	10/2/2015			
DO NOT SCALE DRAWING				CHECKED	GRE	3/25/2014	SCALE: 1:4	WEIGHT: lbs.	SHEET 1 OF 2

5

4

3

2

1

A

B

C

D

E